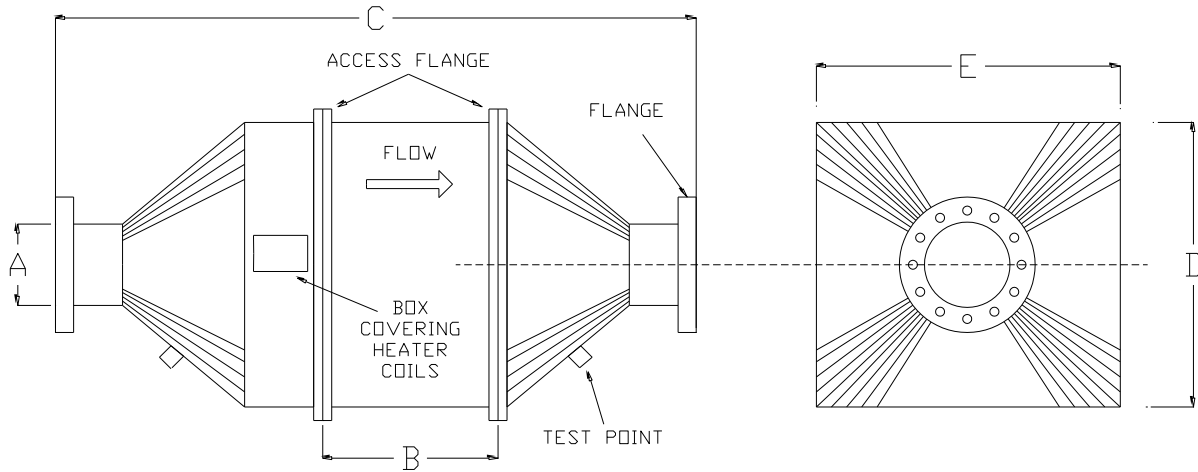




SG02/00262

SG02/55341

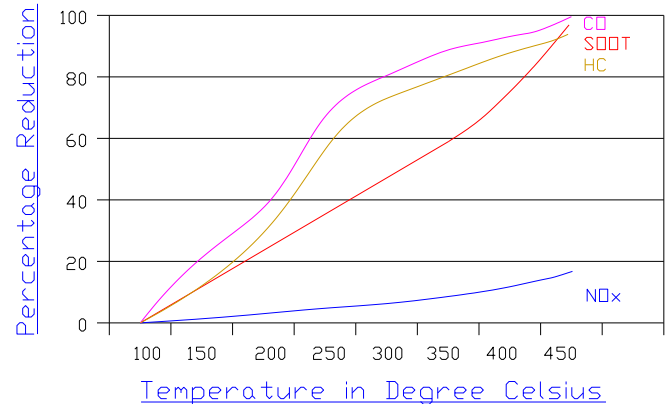
Soot Filter



ECISF

Model	A	B	C	D	E
ECISF 1	To Advise	525	1200	300	300
ECISF 2	To Advise	525	1300	300	600
ECISF 3	To Advise	525	1700	650	650
ECISF 4	To Advise	525	1700	750	750
ECISF 5	To Advise	525	1700	750	1100
ECISF 6	To Advise	525	1800	800	1100
ECISF 7	To Advise	525	1900	1100	1100

*Other sizes available upon request



SPECIFICATION:

ECI soot filters are treated with catalyst so that it not only possesses the same properties as catalytic converters, it also effectively removes soot (black smoke) by at least 80%.

Black Smoke reduction is guaranteed under **ANY** conditions at a minimum of 80%.

Gas odors will be removed or reduced when the temperature of the soot filters reaches $\geq 180^{\circ}\text{C}$. This performance is consistent with catalytic converters.

PERFORMANCE (BASED ON FULL LOAD):

Carbon Monoxide	reduced by up to 90%
Hydrocarbons	reduced by up to 90%
Particulates	reduced by up to 80%
Soluble Organic Fraction	reduced by up to 85%

CHEMICAL REACTION DETAILS ARE AS FOLLOWS:-

$\text{CO} + \frac{1}{2} \text{O}_2$	$\rightarrow \text{CO}_2$
$\text{HC} + \frac{1}{2} \text{O}_2$	$\rightarrow \text{CO}_2 + \text{H}_2\text{O}$
$\text{PAH} + \text{O}_2$	$\rightarrow \text{CO}_2 + \text{H}_2\text{O}$
Aldehydes + O_2	$\rightarrow \text{CO}_2 + \text{H}_2\text{O}$

EXHAUST CONTROL INDUSTRIES (S) PTE LTD

69 TECH PARK CRESCENT, SINGAPORE 638073

TEL NO : +65 6744 2689 FAX NO : +65 6747 2217 E-MAIL : enquires@eci.com.sg WEBSITE : www.eci.com.sg

* ECI is protected by local and international trademark legislations. Patent Pending.