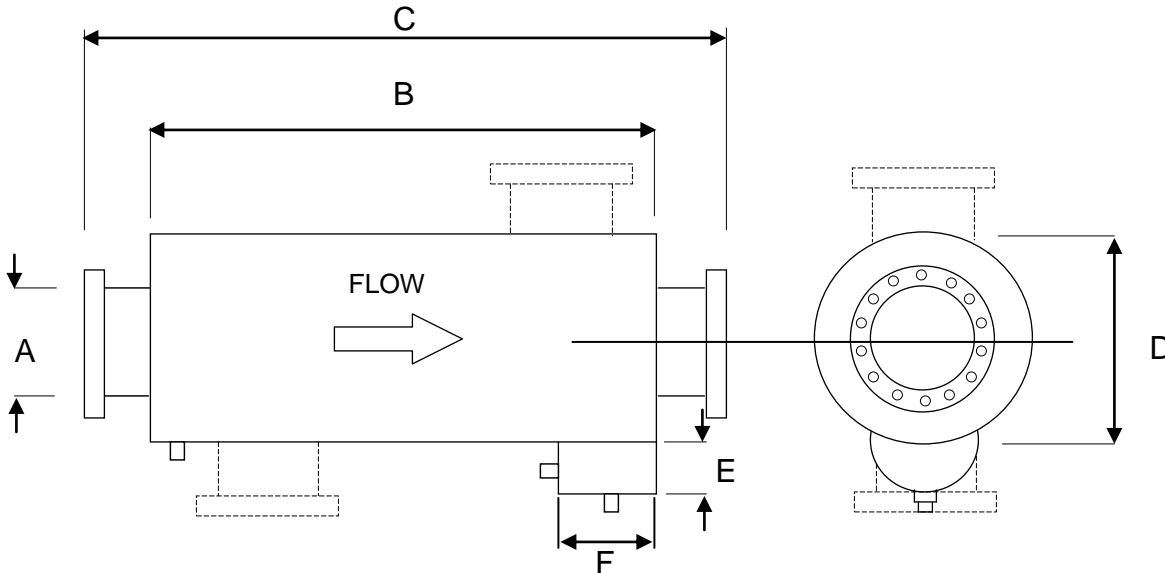




SG02/00262

SG02/55341

Heavy Duty Spark Arresting Silencers



SASE

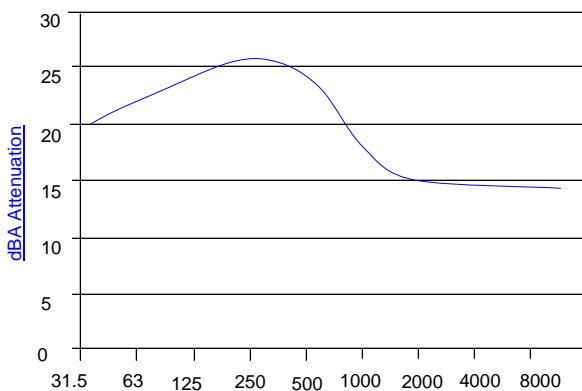
(END INLET-END OUTLET)

SASS

(SIDE INLET-END OUTLET)

ØA	B	C	ØD	RAD E	F
75	510	580	300	65	175
100	660	835	350	75	225
125	810	985	400	75	250
150	910	1090	450	90	275
200	1220	1430	560	100	300
250	1295	1510	660	150	375
300	1520	1735	760	150	450
350	1700	1960	915	175	500
400	1830	2010	1020	175	610

* Larger sizes available on request



Octave Band Hz Frequency

APPLICATION

Heavy Duty Spark Arresting series is a medium performance reactive silencer recommended for those conditions where the ambient noise level in the environment is low, particularly where stringent noise criterion is demanded and offers excellent broadband attenuation. For use with two and four cycle engines.

PERFORMANCE

An attenuation of up to 25dbA is attained from the outlet of SASE / SASS range of silencers under open-field conditions.

FEATURES

- Mild steel body with JIS 5K flanges
- Coated with heat-resistant aluminum paint (Up to 600°C)
- Can be mounted either vertically or horizontally without affecting performance
- Modifications and other sizes available upon request

EXHAUST CONTROL INDUSTRIES (S) PTE LTD

69 TECH PARK CRESCENT, SINGAPORE 638073

TEL NO : 67442689 FAX NO : 67472217 E-MAIL : enquire@eci.com.sg WEBSITE : www.eci.com.sg

* ECI is protected by local and international trademark legislations. Patent Pending.