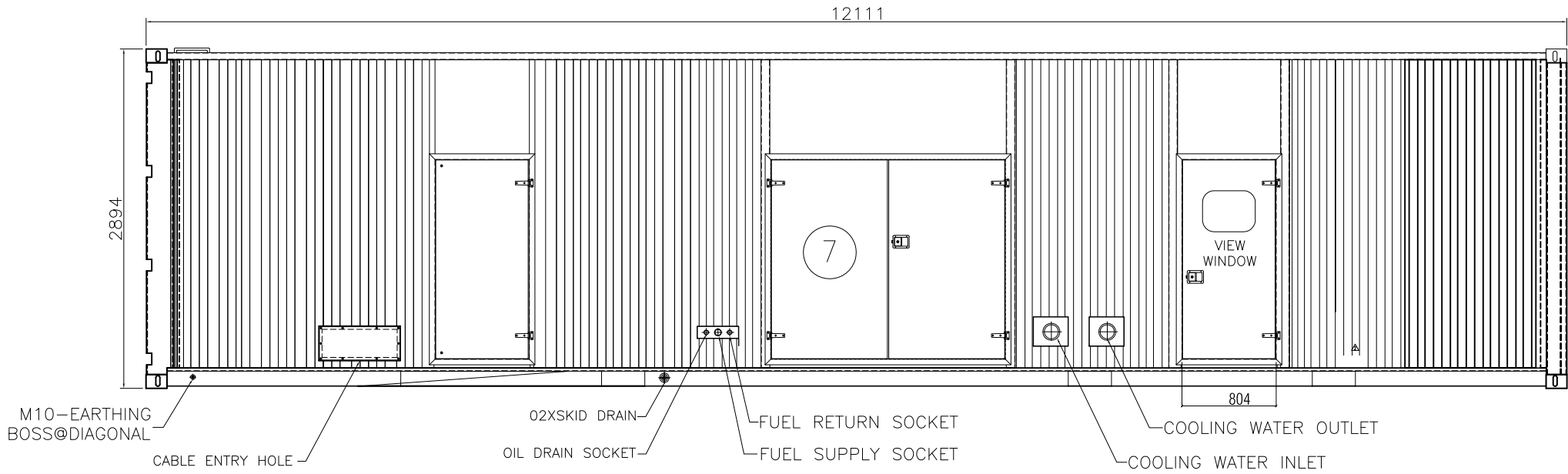
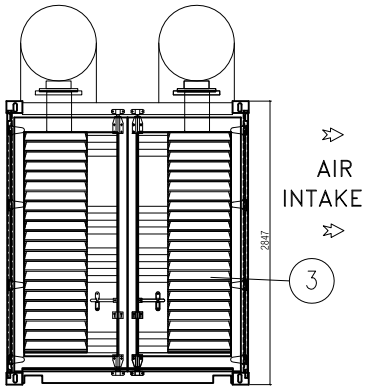


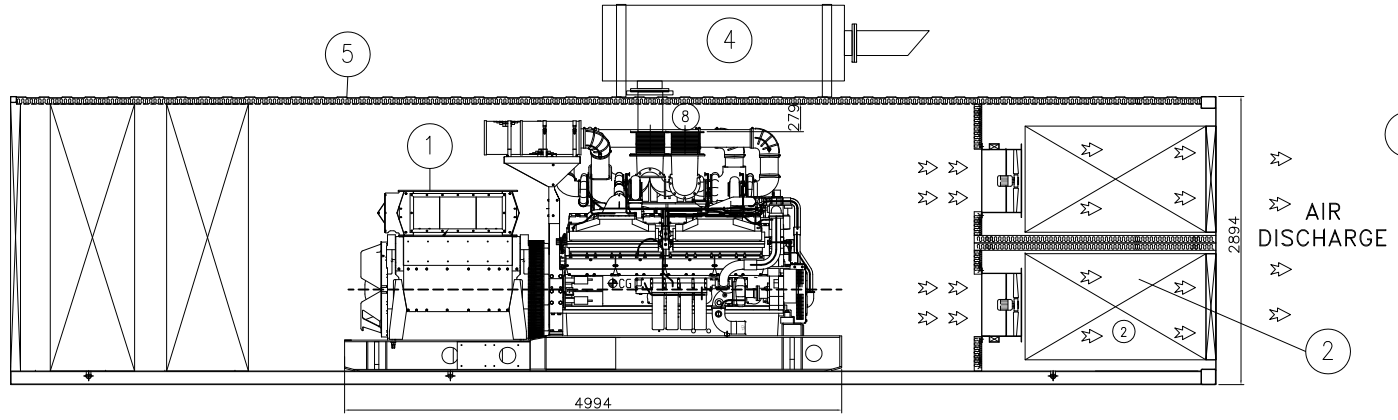
PLAN VIEW(GENSET)



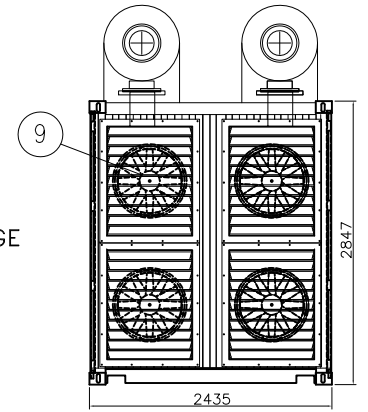
LEFT SIDE VIEW (ENCLOSURE)



REAR VIEW (ENCLOSURE)



SECTION VIEW(GENSET)



2435

2847